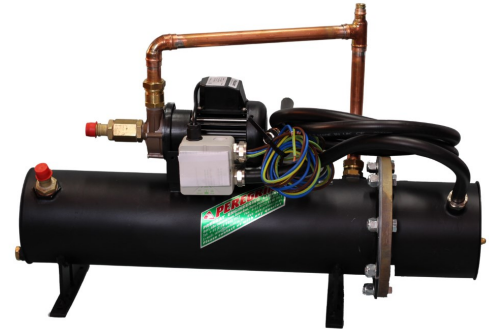




## Peregrine Coolant Heater: YP-Type (230V) Pumped - Withdrawable Element

**PEREGRINE YP-Type** withdrawable element pumped coolant heaters are the perfect solution for large generators and marine applications as the withdrawable element allows heater maintenance without the need to drain the sump or tank. PEREGRINE YP-Type coolant heaters are fitted with a pump to force heated water around the engine. They are ideally suited to large diesel engines where one, two or more heaters may be needed on a single engine and/or where there is the requirement for alarm operation.

All YP-type heaters are fitted with twin thermostats set at 60°C adjustable, one operating the heater while the second is set a few degrees lower to switch an independent alarm circuit should the coolant temperature fall below a pre-set temperature.



**Available in the following size connections:**

**Hose: 13mm (½”), 19mm (¾”)**

Model	P4YLP	P5YLP	P6YLP	P7YLP	P8YLPC	P9YLPC	P10YLPC	P11YLPC	P12YLPC
<b>Wattage</b>	1500	2000	2500	3000	4000	5000	6000	7000	8000
<b>Weatherproof</b>	No								
<b>Voltage</b>	230V AC								
<b>Fluid</b>	Water*/Coolant Mix 50%/50%								
<b>Connection Options</b>	Hose: 13mm (½”), 19mm (¾”)								
<b>Heater Body Diameter</b>	152mm								
<b>Heater Body Length</b>	570mm								
<b>Overall Heater Length</b>	750mm								
<b>Type</b>	3 Elements with Control Thermostat					6 Elements with Control Thermostat			
<b>Thermostat Range</b>	A45, ranged 35°C - 85°C, set 60°C								
<b>Configuration</b>	Horizontal with 2 x Hose Connections								
<b>Cable</b>	2m 0.75² 3-Core Black PVC	2m 1.5² 3-Core Black PVC	2m 2.5² Single Wires & Kopex		2m 4² Single Wires & Kopex		2m 6² Single Wires & Kopex		
<b>Heater Finish</b>	Zinc Passivated Plating								

\* The use of deionised water will prevent limescale build-up and extend the life of the heater.

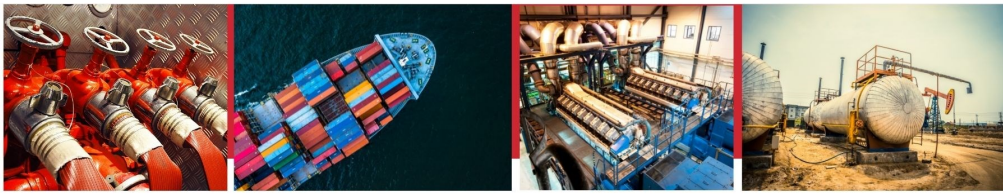
Shipping/Warranty Information	
<b>Shipped Dimensions (mm)</b>	620 (L) x 470 (W) x 480 (H)
<b>Shipped Weight</b>	15kg
<b>Warranty</b>	Standard 12 months from delivery



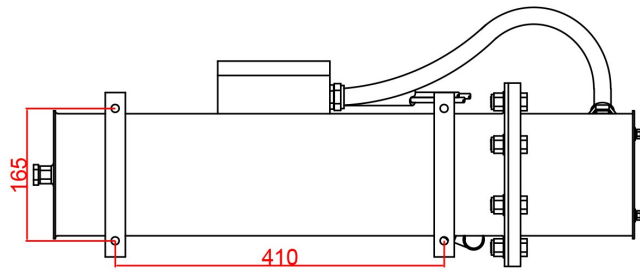
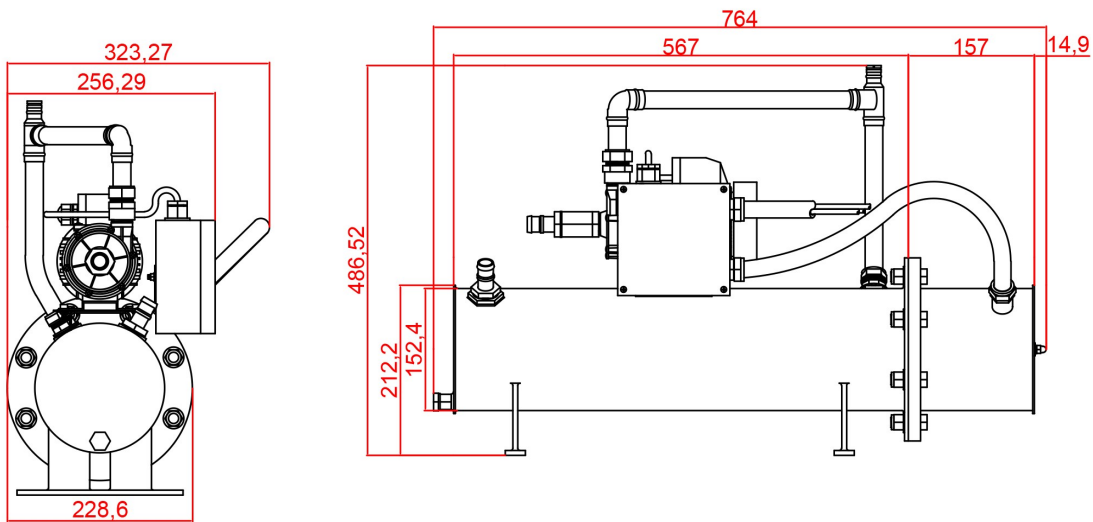
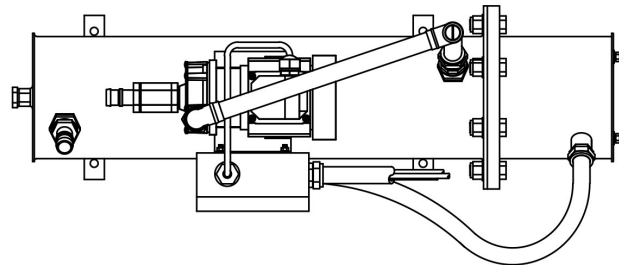
Designed and Built in the UK

+44 (0)20 8848 1912  
sales@preheat.co.uk  
[www.preheat.co.uk](http://www.preheat.co.uk)

**PREHEAT**  
ENGINEERING LTD



# Peregrine Coolant Heater: YP-Type (230V) Pumped - Withdrawable Element



Shipping/Warranty Information	
Shipped Dimensions (mm)	Same as XP?
Shipped Weight	Same as XP?
Warranty	Standard 12 months from delivery



Designed and Built in the UK

+44 (0)20 8848 1912  
 sales@preheat.co.uk  
[www.preheat.co.uk](http://www.preheat.co.uk)

